



Component Map
v1.0 8-Jun-2023

GAME GEAR CAPACITOR REPLACEMENT KIT

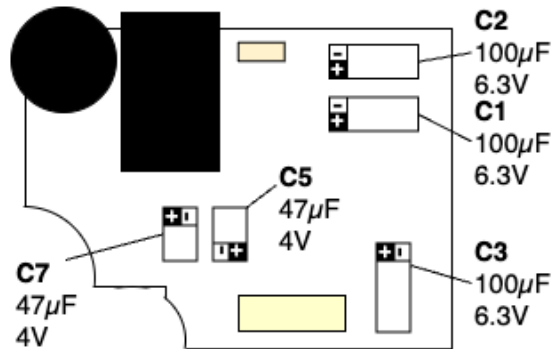
These are component maps for the various Sega Game Gear capacitor replacement kits we sell over at our website - <https://k-retro.com/40-sega-gg-capacitor-kits>.



Component Map PCB 837-7400-01

Audio Board

C5	47uF	4V
C7	47uF	4V
C1	100uF	6.3V
C2	100uF	6.3V
C3	100uF	6.3V



k-retro.com

Scan for capacitor kits